

iQ100
LE63MAC00B
Integrated hood
Silver
60 cm

D



This fold-out integrated hood with a high extraction rate for powerful performance is hidden in the upper cabinet unit.

- ✓ Powerful motor with a high extraction rate.
- ✓ The 360 m³/h extraction rate supplies clean air when cooking.
- ✓ The energy-saving LED lighting ensures optimal visibility when cooking.
- ✓ At 62 dB the hood is especially quiet when being used.

Features

Technical Data

Typology : Pull-out
 Approval certificates : CE
 Length of electrical supply cord (cm) : 150
 Minimum distance above an electric hob : 500
 Minimum distance above a gas hob : 650
 Net weight (kg) : 10.030
 Type of control : mechanical
 Number of speed settings : 3
 Maximum output air extraction (m³/h) : 360
 Maximum output recirculating air (m³/h) : 250
 Number of lights (Stck) : 2
 Noise level (dB(A) re 1 pW) : 62
 Diameter of air outlet (mm) : 120 / 150
 Grease filter material : Washable aluminium
 EAN code : 4242003806487
 Connection rating (W) : 126
 Current (A) : 10
 Voltage (V) : 220-240
 Frequency (Hz) : 60; 50
 Plug type : GB plug
 Installation type : Wall-mounted



4 242003 806487

iQ100
LE63MAC00B
Integrated hood
Silver
60 cm

Features

Key performance features:

- Energy Efficiency Class: D (at a range of energy efficiency classes from A++ to E)*
- Max. extraction rate: 360 m³/h
- Noise max. Normal Level: 62 dB*

Features

- Push button control for extractor speeds and light
- 3 x power levels
- 2 x 3W LED
- Colour Temperature: 2700 K
- 2 x metal grease filter cassettes
- Installation between cupboards

Design

- Integrated hood
- Mechanical

Performance/technical information

- Suitable for ducted and re-circulating operation
- For recirculated extraction a recirculating kit or a CleanAir recirculation kit (accessory) is needed
- Max. extraction rate: 360 m³/h
- Noise max. Normal Level: 62 dB*
- Noise level according to EN 60704-3 and EN 60704-2-13 at max. normal use exhaust air: 62 dB(A) re 1 pW (48 dB(A) re 20 µPa sound pressure)
- Power rating: 126 W
- Light Intensity: 188 lux
- Colour Temperature: 2700 K
- Electrical cable length 1.5 m
- Diameter pipe Ø 150 mm (Ø 120 mm enclosed)
- Dimensions exhaust air (HxWxD): 402-402 x 599 x 271 mm
- Dimensions recirculating, chimney (HxWxD): 402-402 x 599 x 271 mm
- Energy Efficiency Class: D (at a range of energy efficiency classes from A++ to E)*
- Blower Efficiency Class: E*
- Lighting Efficiency Class: A*
- Grease Filtering Efficiency Class: C*
- Average Energy Consumption: 65.7 kWh/year*

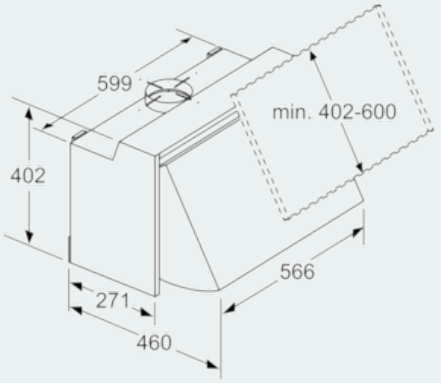
Optional accessories

- Recirculating kit

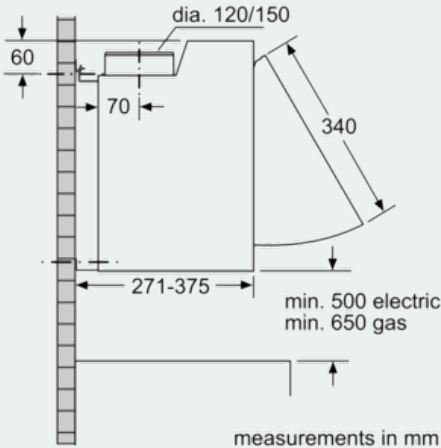
* In accordance with the EU-Regulation No 65/2014

iQ100
LE63MAC00B
Integrated hood
Silver
60 cm

Dimensioned drawings



measurements in mm



measurements in mm