

**iQ100**  
**LE66MAC00B**  
**Integrated hood**  
**Silver**  
**60 cm**

B



This fold-out integrated hood with a high extraction rate for powerful performance is hidden in the upper cabinet unit.

- ✓ Powerful motor with a high extraction rate.
- ✓ The 620 m<sup>3</sup>/h extraction rate supplies clean air when cooking.
- ✓ The energy-saving LED lighting ensures optimal visibility when cooking.
- ✓ At 70 dB the hood is especially quiet when being used.

#### Features

##### Technical Data

Typology : Pull-out  
 Approval certificates : CE  
 Length of electrical supply cord (cm) : 150  
 Minimum distance above an electric hob : 500  
 Minimum distance above a gas hob : 650  
 Net weight (kg) : 10.230  
 Type of control : mechanical  
 Number of speed settings : 3  
 Maximum output air extraction (m<sup>3</sup>/h) : 620  
 Maximum output recirculating air (m<sup>3</sup>/h) : 410  
 Number of lights (Stck) : 2  
 Noise level (dB(A) re 1 pW) : 70  
 Diameter of air outlet (mm) : 120 / 150  
 Grease filter material : Washable aluminium  
 EAN code : 4242003806500  
 Connection rating (W) : 256  
 Current (A) : 10  
 Voltage (V) : 220-240  
 Frequency (Hz) : 60; 50  
 Plug type : GB plug  
 Installation type : Wall-mounted



4 242003 806500

**iQ100**  
**LE66MAC00B**  
**Integrated hood**  
**Silver**  
**60 cm**

#### Features

##### Key performance features:

- Energy Efficiency Class: B (at a range of energy efficiency classes from A++ to E)\*
- Max. extraction rate: 620 m<sup>3</sup>/h
- Noise max. Normal Level: 70 dB\*

##### Features

- Push button control for extractor speeds and light
- 3 x power levels
- 2 x 3W LED
- Colour Temperature: 2700 K
- 2 x metal grease filter cassettes
- Installation between cupboards

##### Design

- Integrated hood
- Mechanical

##### Performance/technical information

- Suitable for ducted and re-circulating operation
- For recirculated extraction a recirculating kit or a CleanAir recirculation kit (accessory) is needed
- Max. extraction rate: 620 m<sup>3</sup>/h
- Noise max. Normal Level: 70 dB\*
- Noise level according to EN 60704-3 and EN 60704-2-13 at max. normal use exhaust air: 70 dB(A) re 1 pW (56 dB(A) re 20 µPa sound pressure)
- Power rating: 256 W
- Light Intensity: 188 lux
- Colour Temperature: 2700 K
- Electrical cable length 1.5 m
- Diameter pipe Ø 150 mm (Ø 120 mm enclosed)
- Dimensions exhaust air (HxWxD): 402-402 x 599 x 271 mm
- Dimensions recirculating, chimney (HxWxD): 402-402 x 599 x 271 mm
- Energy Efficiency Class: B (at a range of energy efficiency classes from A++ to E)\*
- Blower Efficiency Class: B\*
- Lighting Efficiency Class: A\*
- Grease Filtering Efficiency Class: C\*
- Average Energy Consumption: 68.4 kWh/year\*

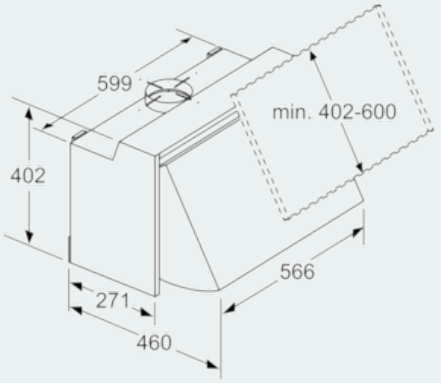
##### Optional accessories

- Recirculating kit

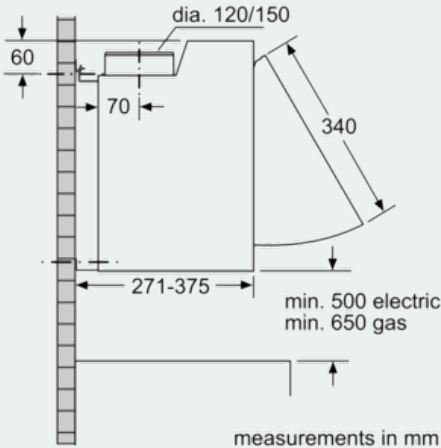
\* In accordance with the EU-Regulation No 65/2014

iQ100  
LE66MAC00B  
Integrated hood  
Silver  
60 cm

Dimensioned drawings



measurements in mm



measurements in mm