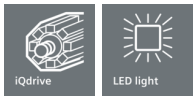


iQ300, Telescopic cooker hood, 60 cm, Silver metallic LI64MA531B

A



For clean lines the powerful telescopic cooker hood disappears into an upper cabinet, perfect for modern kitchens.

- ✓ The quiet high-performance motor: ensures efficient odour and steam removal.
- ✓ LED lights: for optimal visibility and ambience while cooking.
- ✓ Fast-acting extraction for sudden bursts of steam - Intensive Setting

Features

Technical Data

Typology : Pull-out
 Approval certificates : CE, VDE
 Length of electrical supply cord (cm) : 175
 Required niche size for installation (HxWxD) : 162mm x 526.0mm x 290mm
 Minimum distance above an electric hob : 430
 Minimum distance above a gas hob : 650
 Net weight (kg) : 8.111
 Type of control : Electronic
 Maximum output air extraction (m³/h) : 270
 Boost position output recirculating (m³/h) : 360
 Maximum output recirculating air (m³/h) : 263
 Boost position air extraction (m³/h) : 405
 Number of lights (Stck) : 2
 Noise level (dB(A) re 1 pW) : 62
 Diameter of air outlet (mm) : 120 / 150
 Grease filter material : Washable aluminium
 EAN code : 4242003880104
 Connection rating (W) : 74
 Current (A) : 10
 Voltage (V) : 220-240
 Frequency (Hz) : 50; 60
 Plug type : GB plug
 Installation type : Built-in

Optional accessories

LZ46850	Design-Handle strip
LZ45510	Standard odor filter (replacement)
LZ45450	Standard recirculation kit



iQ300, Telescopic cooker hood, 60 cm, Silver metallic LI64MA531B

Features

Features

- Soft touch button control with Electronic display
- 3 x power levels plus intensive setting
- 2 x 1,5W LED
- Efficient BLDC motor
- Automatic intensive revert (6mins)
- Automatic after running (Automatic after running (10 minutes))
- 2 x metal grease filter cassettes

Design

- 60 cm wide
- Silver metallic lacquer
- Handle strip specification: stainless steel with logo
-
- Filter cover stainless steel, perforated and dishwasher safe

Performance

- Suitable for ducted and re-circulating operation
- For recirculated extraction recirculating kit (accessory) needed
- Energy Efficiency Class: A (at a range of energy efficiency classes from A+++ to D)
- Extraction rate according to EN 61591 ø 15 cm:
 - max. Normal use 271 m³/h
 - Intensive 405 m³/h
- Noise level according to EN 60704-3 and EN 60704-2-13 at max. normal use exhaust air: 62 dB(A) re 1 pW
- Noise level according to EN 60704-3 and EN 60704-2-13 exhaust air:
 - Max. normal use: 62 dB(A) re 1 pW
 - Intensive: 69 dB(A) re 1 pW
- Noise max. Normal Level: Noise, max. speed in normal us: 62 dB dB*
- 1 single inlet horizontal, Efficient BLDC motor
- Colour Temperature: 3500 K
- Light Intensity: 294 lux
- Power rating: 74 W
- Average Energy Consumption: 22.2 kWh/year*
- Blower Efficiency Class: B*
- Lighting Efficiency Class: A*
- Grease Filtering Efficiency Class: C*

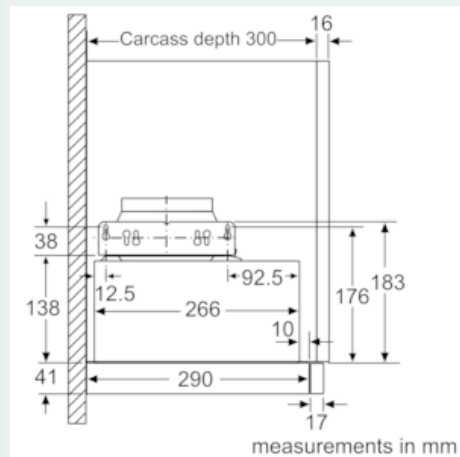
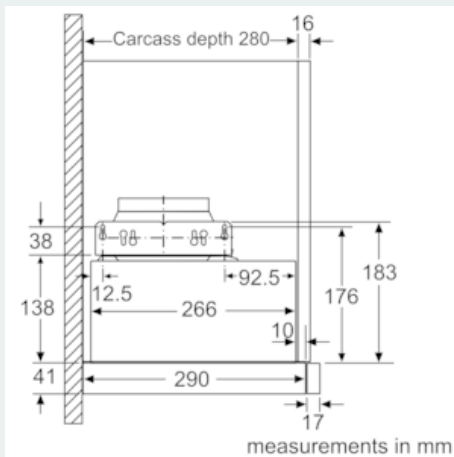
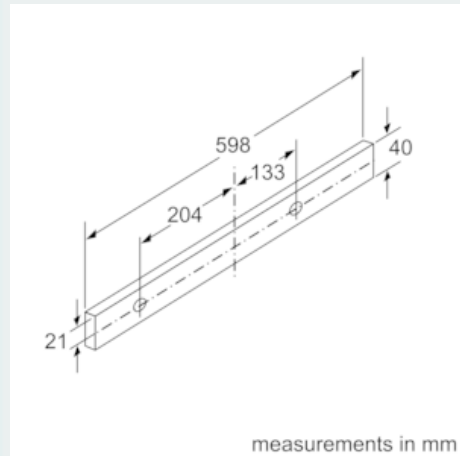
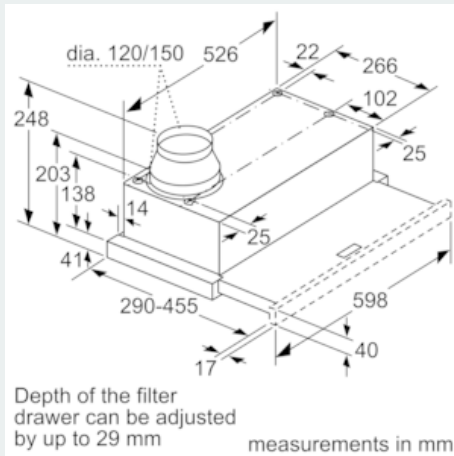
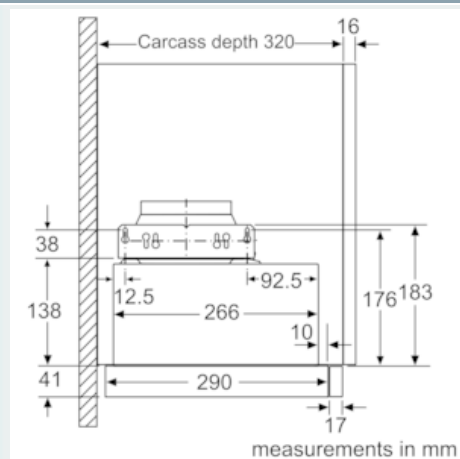
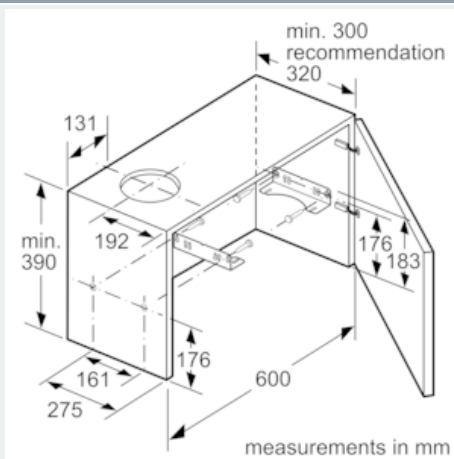
Planning and installation information

- Installation: Cupboard 60 cm
- Dimensions (HxWxD): 203 x 598 x 290 mm
- Built-in dimensions (HxWxD): 162 x 526 x 290 mm
- Diameter pipe Ø 150 mm (Ø 120 mm enclosed)
- Electrical cable length 1.75 m

* In accordance with the EU-Regulation No 65/2014

iQ300, Telescopic cooker hood, 60 cm, Silver metallic LI64MA531B

Dimensioned drawings



iQ300, Telescopic cooker hood, 60 cm,
Silver metallic
LI64MA531B

Dimensioned drawings

