

## iQ300, Telescopic cooker hood, 90 cm, Silver metallic LI94MA531B

A



For clean lines the powerful telescopic cooker hood disappears into an upper cabinet, perfect for modern kitchens.

- ✓ The quiet high-performance motor: ensures efficient odour and steam removal.
- ✓ LED lights: for optimal visibility and ambience while cooking.
- ✓ Fast-acting extraction for sudden bursts of steam - Intensive Setting

### Features

#### Technical Data

Typology : Pull-out  
 Approval certificates : CE, VDE  
 Length of electrical supply cord (cm) : 175  
 Required niche size for installation (HxWxD) : 162mm x 526.0mm x 290mm  
 Minimum distance above an electric hob : 430  
 Minimum distance above a gas hob : 650  
 Net weight (kg) : 10.566  
 Type of control : Electronic  
 Maximum output air extraction (m<sup>3</sup>/h) : 266  
 Boost position output recirculating (m<sup>3</sup>/h) : 353  
 Maximum output recirculating air (m<sup>3</sup>/h) : 263  
 Boost position air extraction (m<sup>3</sup>/h) : 412  
 Number of lights (Stck) : 3  
 Noise level (dB(A) re 1 pW) : 63  
 Diameter of air outlet (mm) : 120 / 150  
 Grease filter material : Washable aluminium  
 EAN code : 4242003880234  
 Connection rating (W) : 76  
 Current (A) : 10  
 Voltage (V) : 220-240  
 Frequency (Hz) : 50; 60  
 Plug type : GB plug  
 Installation type : Built-in

### Optional accessories

LZ49850	Handle strip
LZ45510	Standard odor filter (replacement)
LZ45450	Standard recirculation kit



## iQ300, Telescopic cooker hood, 90 cm, Silver metallic LI94MA531B

### Features

#### Features

- Soft touch button control with Electronic display
- 3 x power levels plus intensive setting
- 3 x 1,5W LED
- Efficient BLDC motor
- Automatic intensive revert (6mins)
- Automatic after running (Automatic after running (10 minutes))
- 3 x metal grease filter cassettes - dishwasher safe

#### Design

- 90 cm wide
- Silver metallic lacquer
- Handle strip specification: stainless steel with logo
- 
- Filter cover stainless steel, perforated and dishwasher safe

#### Performance

- Suitable for ducted and re-circulating operation
- For recirculated extraction recirculating kit (accessory) needed
- Energy Efficiency Class: A (at a range of energy efficiency classes from A+++ to D)
- Extraction rate according to EN 61591 ø 15 cm:
  - max. Normal use 266 m<sup>3</sup>/h
  - Intensive 412 m<sup>3</sup>/h
- Noise level according to EN 60704-3 and EN 60704-2-13 at max. normal use exhaust air: 63 dB(A) re 1 pW
- Noise level according to EN 60704-3 and EN 60704-2-13 exhaust air:
  - Max. normal use: 63 dB(A) re 1 pW
  - Intensive: 70 dB(A) re 1 pW
- Colour Temperature: 3500 K
- Light Intensity: 355 lux
- Power rating: 76 W
- Average Energy Consumption: 22.2 kWh/year\*
- Blower Efficiency Class: B\*
- Lighting Efficiency Class: A\*
- Grease Filtering Efficiency Class: C\*

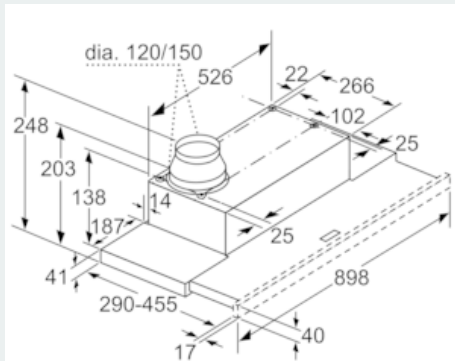
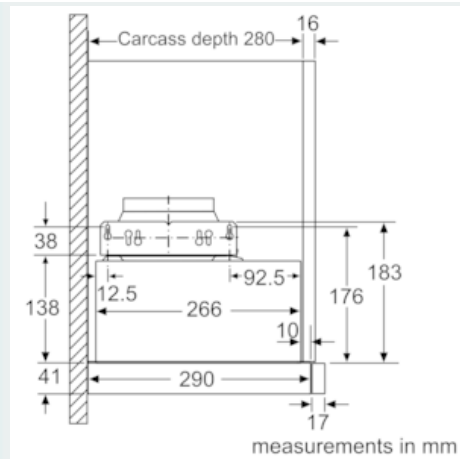
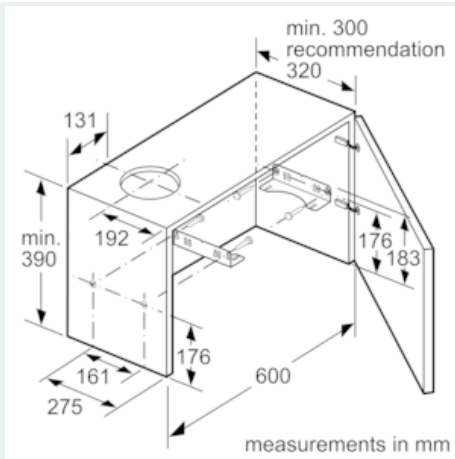
#### Planning and installation information

- Dimensions (HxWxD): 203 x 898 x 290 mm
- Built-in dimensions (HxWxD): 162 x 526 x 290 mm
- Diameter pipe Ø 150 mm (Ø 120 mm enclosed)
- Electrical cable length 1.75 m

\* In accordance with the EU-Regulation No 65/2014

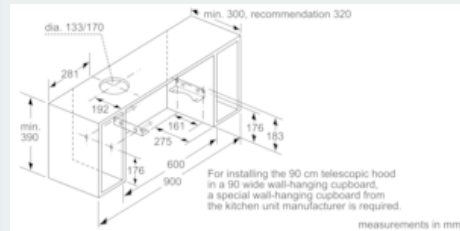
## iQ300, Telescopic cooker hood, 90 cm, Silver metallic LI94MA531B

### Dimensioned drawings



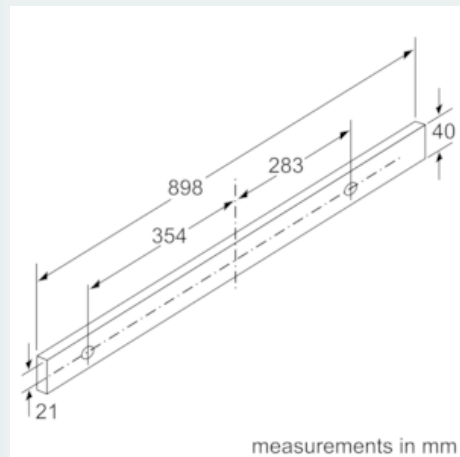
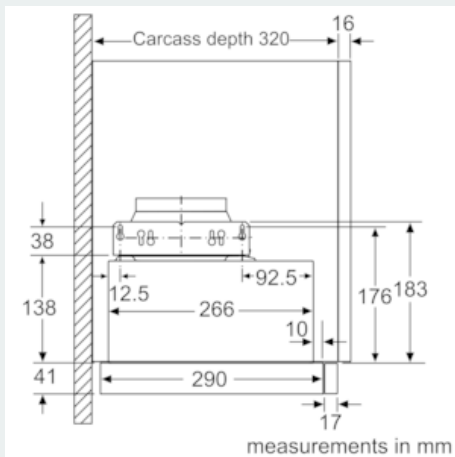
Depth of the filter drawer can be adjusted by up to 29 mm

measurements in mm



For installing the 90 cm telescopic hood in a 90 wide wall-hanging cupboard, a special wall-hanging cupboard from the kitchen unit manufacturer is required.

measurements in mm



iQ300, Telescopic cooker hood, 90 cm,  
Silver metallic  
LI94MA531B

Dimensioned drawings

