

## Long Life recirculation kit LZ11ITD11



External recirculation kit with regenerative Long Life filter:  
Removes odors reliably over a period of up to 10 years.

### Features

#### Technical Data

Dimensions of the packed product (HxWxD) (mm) : 365 x 300 x 690

Pallet dimensions : 200.0 x 80.0 x 120.0

Standard number of units per pallet : 20

Net weight (kg) : 8.164

Gross weight (kg) : 8.9

EAN code : 4242003877173



4 242003 877173

## Long Life recirculation kit LZ11ITD11

### Features

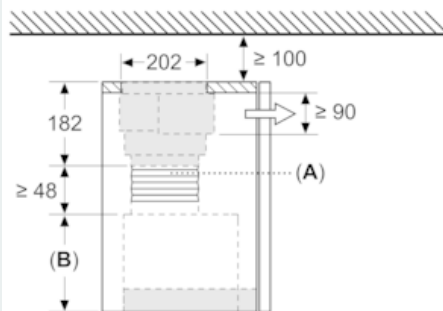
#### Optional accessories

- # For recirculation operation
- # Can be combined with slimline hoods and selected canopy hoods.
- # Can be used multiple times, the regenerative active carbon filter is regenerated in the oven with a recommendation of every 4 months. Simply place in the oven for 2 hours at 200°C.
- # For assembly in the upper cabinet

Long Life recirculation kit  
LZ11ITD11

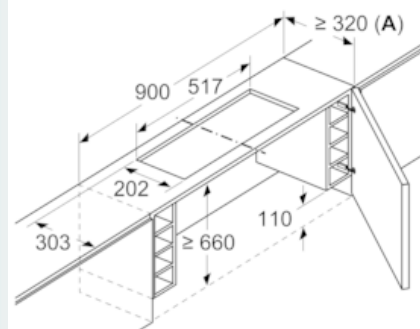
Dimensioned drawings

Measurements in mm  
Installation of integrated design hood with  
circulated air kit



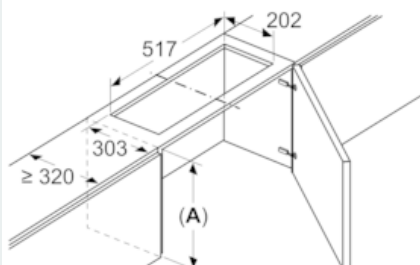
A: Flexible hose  
B: Appliance height

Measurements in mm  
Installation of telescopic hood with  
circulated air kit and lowering frame

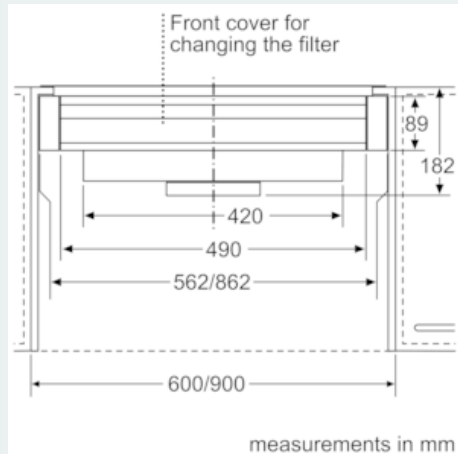


A: See combination table

Measurements in mm  
Installation of integrated design hood with  
circulated air kit

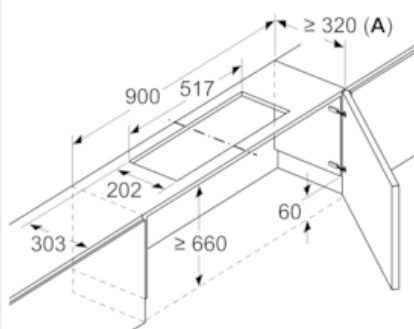


Not possible to use a circulated air kit for  
cupboards with transverse cross-members  
(lifting doors)  
A: ≥ appliance height + 230 mm



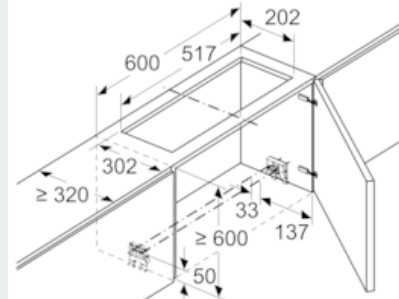
measurements in mm

Measurements in mm  
Installation of telescopic hood with  
circulated air kit and lowering frame



A: See combination table

Measurements in mm  
Installation of telescopic hood with  
circulated air kit

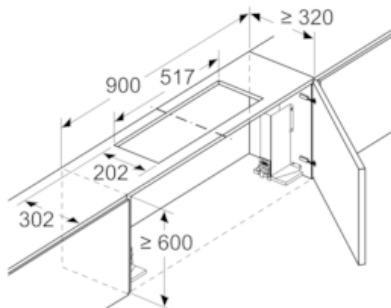


Not possible to use a circulated air kit for  
cupboards with transverse cross-members  
(lifting doors)

Long Life recirculation kit  
LZ11ITD11

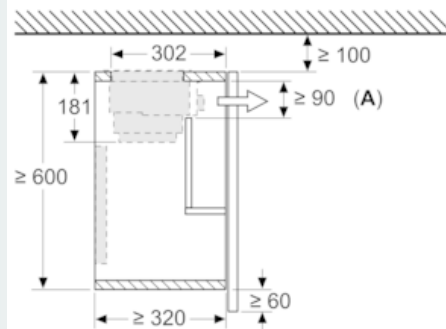
Dimensioned drawings

Measurements in mm  
Installation of telescopic hood with  
circulated air kit

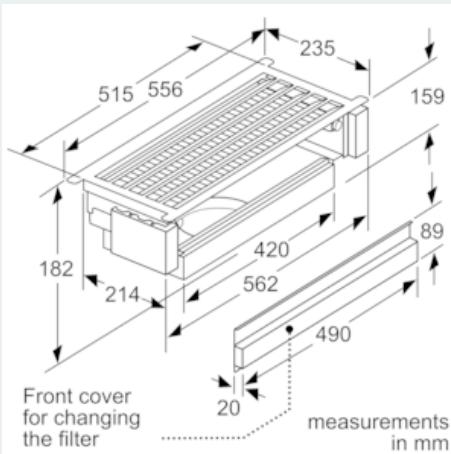


Not possible to use a circulated air kit for cupboards with transverse cross-members (lifting doors)

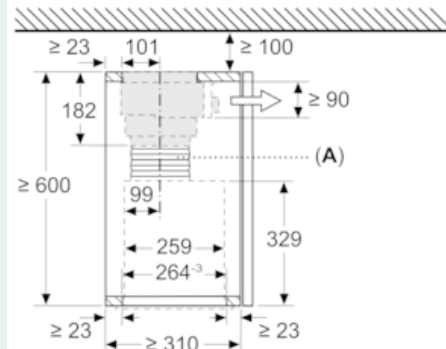
Measurements in mm  
Installation of telescopic hood with  
circulated air kit and lowering frame



A: Filter change

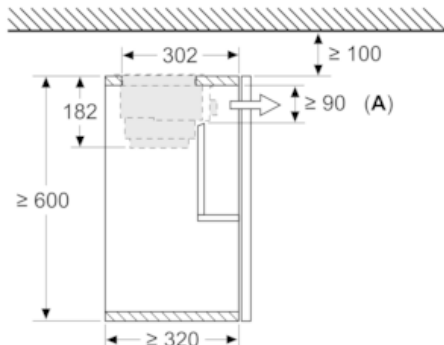


Measurements in mm  
Installation of canopy hood with circulated  
air kit



A: Flexible hose

Measurements in mm  
Installation of telescopic hood with  
circulated air kit



A: Filter change

Measurements in mm  
Installation of canopy hood with circulated  
air kit

