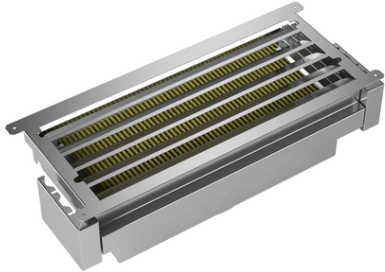


Clean Air Plus recirculation kit LZ11IXC16



Features

Technical Data

Dimensions of the packed product (HxWxD) (mm) : 280 x 690 x 300

Pallet dimensions : 190.0 x 80.0 x 120.0

Standard number of units per pallet : 24

Net weight (kg) : 5.382

Gross weight (kg) : 6.3

EAN code : 4242003861806



Clean Air Plus recirculation kit LZ11IXC16

Features

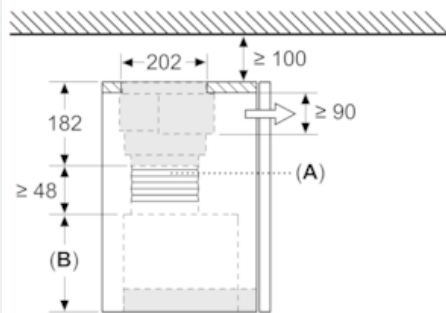
Optional accessories

- # For recirculation operation
- # Can be combined with slimline hoods and selected canopy hoods.
- # Odour reduction > 90%
- # Lifetime of CleanAir Plus odour filter 12-18 months
- # Anti-fish functionality: Especially treated against fish smell
- # Anti-pollen functionality: The filter retains 99% of airborne pollen and deactivates allergens which are retained by the filter.
- # For assembly in the upper cabinet

Clean Air Plus recirculation kit
LZ11IXC16

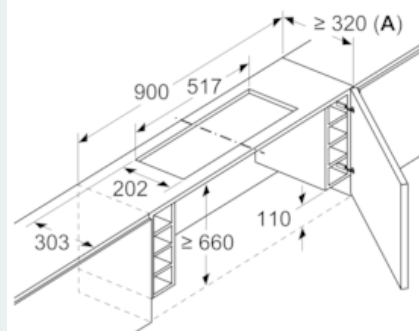
Dimensioned drawings

Measurements in mm
Installation of integrated design hood with
circulated air kit



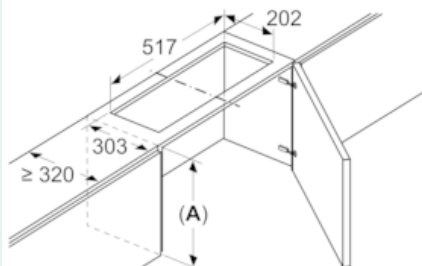
A: Flexible hose
B: Appliance height

Measurements in mm
Installation of telescopic hood with
circulated air kit and lowering frame

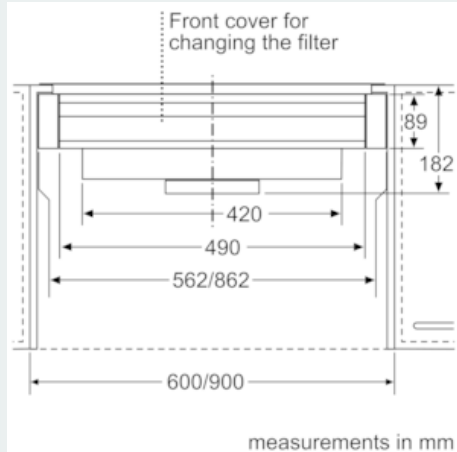


A: See combination table

Measurements in mm
Installation of integrated design hood with
circulated air kit

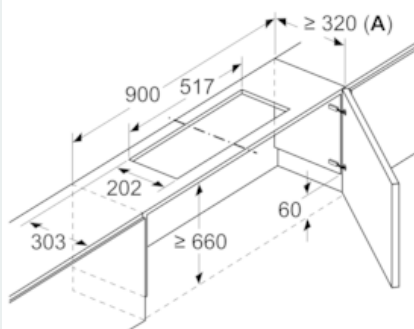


Not possible to use a circulated air kit for
cupboards with transverse cross-members
(lifting doors)
A: \geq appliance height + 230 mm



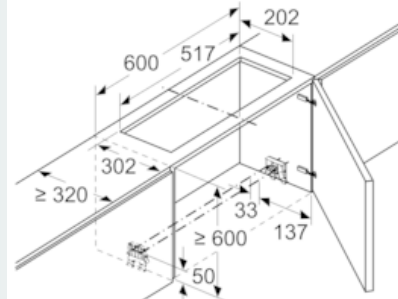
measurements in mm

Measurements in mm
Installation of telescopic hood with
circulated air kit and lowering frame



A: See combination table

Measurements in mm
Installation of telescopic hood with
circulated air kit

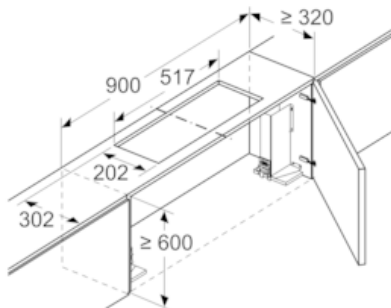


Not possible to use a circulated air kit for
cupboards with transverse cross-members
(lifting doors)

Clean Air Plus recirculation kit
LZ11IXC16

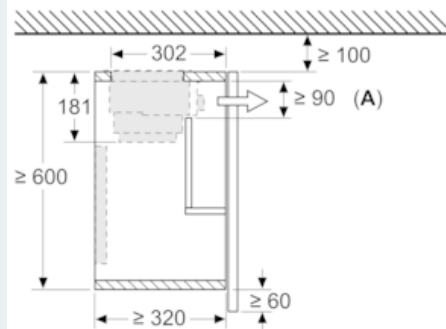
Dimensioned drawings

Measurements in mm
Installation of telescopic hood with
circulated air kit

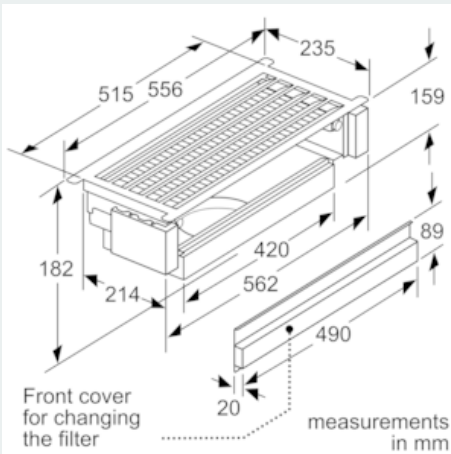


Not possible to use a circulated air kit for
cupboards with transverse cross-members
(lifting doors)

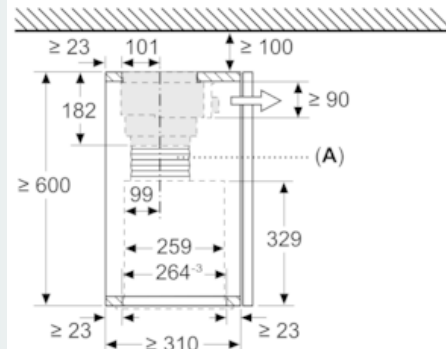
Measurements in mm
Installation of telescopic hood with
circulated air kit and lowering frame



A: Filter change

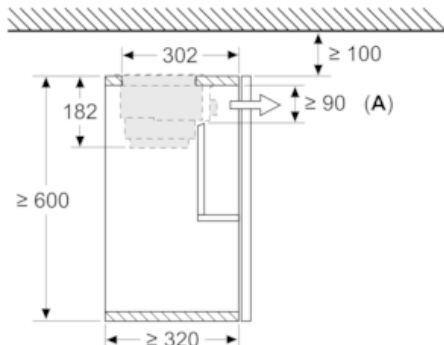


Measurements in mm
Installation of canopy hood with circulated
air kit



A: Flexible hose

Measurements in mm
Installation of telescopic hood with
circulated air kit



A: Filter change

Measurements in mm
Installation of canopy hood with circulated
air kit

