

WARMING DRAWER
N1AHA02NOB



COOKING PASSION SINCE 1877



A warming drawer designed to be combined with a compatible 45cm high compact appliance to fit neatly into a standard single oven niche

- ✓ Push & pull – simply give the handleless warming drawer a gentle push to open
- ✓ Stepless temperature control - The warming drawer makes choosing easy with our stepless temperature control from 40°-80°C.
- ✓ Range of applications - Warm your cookwear or utensils and keep your dishes hot and ready.
- ✓ Installation - The warming drawer can be installed separately or combined with your 45 cm compact appliance.



Features

Technical Data

Construction type : Built-in
Color / Material Front : Stainless steel
Maximum number of plates : 30
Maximum number of espresso cups : 128
Dimensions of the product (mm) : 290 x 594 x 540
Dimensions of the packed product (HxWxD) (mm) : 210 x 660 x 660
Required niche size for installation (HxWxD) : 290 x 560 x 550
EAN code : 4242004222507
Electrical connection rating (W) : 400
Current (A) : 6
Voltage (V) : 220-240
Frequency (Hz) : 50; 60
Plug type : GB plug



4 242004 222507

WARMING DRAWER

N1AHA02NOB

Features

Design

- Push-Pull opening mechanism

Programmes/functions

- Cavity volume: 58 l
- Loading up to 15 kg

Can accommodate up to: -30 plates -128 espresso cups

- 4 Functions: keeping drinks and food warm, pre-warming of tableware, yeast dough proving, thawing of delicate foods
- Temperature Range: approx. 40 °C to 80 °C
- On/Off button

Accessories

- 1 x Anti-slip mat

Technical information

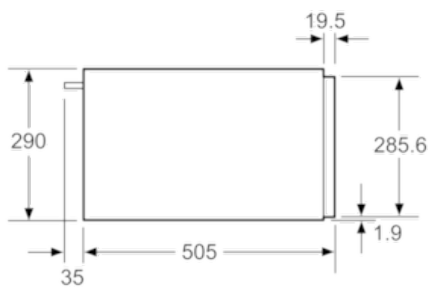
- Length of mains cable: 150 cm
- Total connected load electric: 0.4 KW
- Nominal voltage: 220 - 240 V

Performance/technical information

- Appliance dimension (hxwxd): 290 mm x 594 mm x 540 mm
- Niche dimension (hxwxd): 290 mm x 560 mm - 568 mm x 550 mm
- Please refer to the dimensions provided in the installation manual

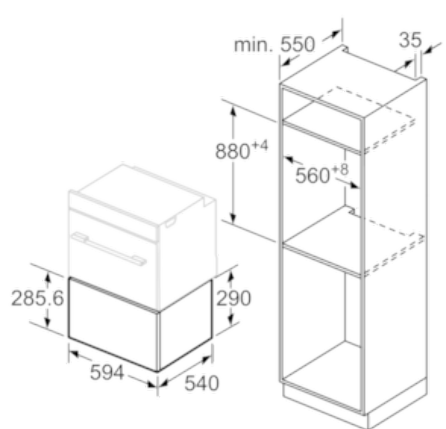
WARMING DRAWER N1AHA02NOB

Dimensioned drawings



Ovens with an appliance height of 595 mm can be installed above a warming drawer. An intermediate floor is not required.

measurements in mm



measurements in mm