

**Serie | 2, Built-under double oven,  
Stainless steel  
NBS113BR0B**



**A**

**The built-in double compact oven with 3D hot air: achieve perfect baking and roasting results on multiple levels simultaneously.**

- **3D Hotair:** even heat distribution for perfect results on up to three levels.
- **Red LED display control:** easy-to-use thanks to the time functions.
- **2 universal pans, slim size:** optimized for smaller amounts of different dishes.

**Technical Data**

Color / Material Front :	Stainless steel
Construction type :	Built-in
Integrated Cleaning system :	No
Dimensions :	717 x 594 x 550
Dimensions of the packed product (HxWxD) (mm) :	790 x 700 x 660
Control Panel Material :	Stainless steel
Door Material :	Glass
Net weight (kg) :	47.147
Usable volume of cavity (l) :	47
Cooking method :	
Conventional heat, Full width grill, Hot Air, Hotair gentle	
Oven control :	mechanical
Number of interior lights :	1
Approval certificates :	CE, VDE
EAN code :	4242005034604
Energy efficiency rating :	A
Energy consumption per cycle conventional (2010/30/EC) :	0.84
Energy consumption per cycle forced air convection (2010/30/EC) :	0.71
Energy efficiency class (2010/30/EC) - cavity 2 :	B
Energy consumption per cycle conventional - cavity 2 (2010/30/EC) :	0.83
Energy efficiency index (2010/30/EC) :	94.7
Energy efficiency index cavity 2 (2010/30/EC) :	120.3
Connection rating (W) :	5300
Fuse protection (A) :	25
Voltage (V) :	220-240
Frequency (Hz) :	50
Plug type :	fixed connection, no plug

**Optional accessories**

- HEZ327000 : Pizza stone
- HEZ530000 : Half tray
- HEZ531000 : Baking tray, grey enamelled
- HEZ531010 : Baking tray, non-stick ceramic coated
- HEZ538000 : 1fold telescopic rail, level independent
- HEZ625071 : Grill tray, anthracite enamelled
- HEZ634000 : Baking and roasting grid (standard)
- HEZ636000 : Glass pan
- HEZ915003 : Glass roasting dish, 5,4 L



## **Serie | 2, Built-under double oven, Stainless steel NBS113BR0B**

**The built-in double compact oven with 3D hot air: achieve perfect baking and roasting results on multiple levels simultaneously.**

### **Design**

- LED-Display Control (Red)
- Interior halogen light
- Rotary dial, round
- Straight bar handle

### **Features**

- Automatic start  
Heating-up indicator
- Control panel lock
- Electronic clock timer

### **Top oven additional features**

- Cavity volume: 34 litre capacity
- 3 shelf positions
- Cavity (inner surface) top: Enamel grey
- Door hinge small cavity: Drop down oven door
- Full glass inner door

### **Main oven additional features**

- Cavity volume: 47 litre capacity
- Door hinge big cavity: Drop down door
- Full glass inner door

### **Top oven**

- Oven with 3 heating methods: conventional top/bottom heat, Large-area grill, Small area grill
- Temperature range 50 °C - 275 °C

### **Main oven**

- Oven with 4 heating methods: 3D Hotair, conventional top and bottom heat, full width variable grill, Hotair gentle
- Temperature range 50 °C - 275 °C
- Fast pre-heating function

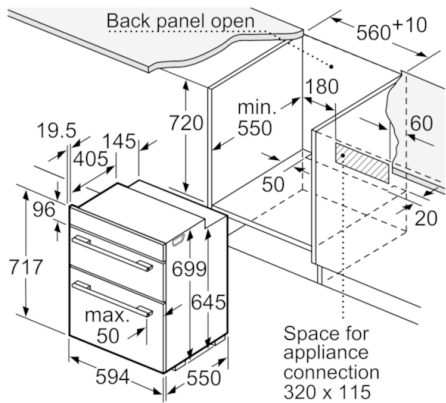
### **Accessories**

- 2 x combination grid, 1 x universal pan, 2 x Universal pan, slim size

### **Performance/technical information**

- Energy efficiency rating (acc. EU Nr. 65/2014): B (at a range of energy efficiency classes from A+++ to D)  
Energy consumption per cycle in conventional mode: 0.83 kWh  
Number of cavities: Top Cavity  
Heat source: electrical
- Energy efficiency rating (acc. EU Nr. 65/2014): B (at a range of energy efficiency classes from A+++ to D)  
Energy consumption per cycle in conventional mode: 0.83 kWh  
Energy consumption per cycle in fan-forced convection mode: 0.71 kWh  
Number of cavities: Main Cavity  
Heat source: electrical
- Total connected load electric: 5.3 KW
- Nominal voltage: 220 - 240 V
- Appliance dimension (hxwxh): 717 mm x 594 mm x 550 mm
- Niche dimension (hxwxh): 720 mm - 720 mm x 560 mm - 568 mm x 550 mm
- Please refer to the dimensions provided in the installation manual

## Serie | 2, Built-under double oven, Stainless steel NBS113BR0B



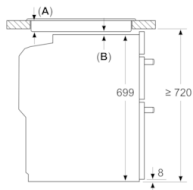
measurements in mm

measurements in mm

If the appliance will be installed underneath a hob, the following worktop thicknesses (including substructure if necessary) must be taken into account.

Hob type	min. worktop thickness	
	fitted	flush
Induction hob	39	40
Full-surface induction hob	49	50
Gas hob	29	40
Electric hob	29	32

measurements in mm  
Installation with a hob



A: Recessed depth 29-50 mm.  
See hob dimensional drawing.  
B: Min. distance:  
Induction hob: 5 mm  
Gas hob: 5 mm  
Electric hob: 2 mm

measurements in mm

