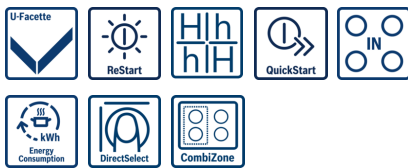
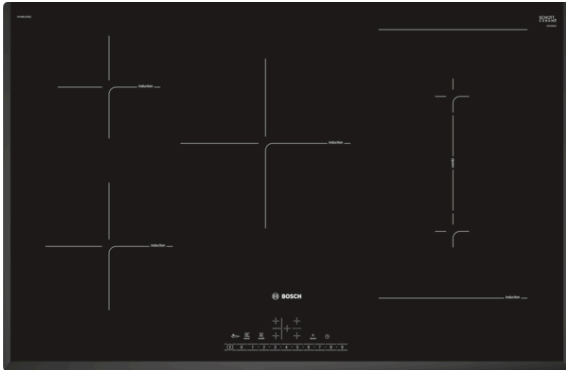


**Serie | 6, Induction hob, 80 cm,  
PVW851FB5E**



**Optional accessories**

HEZ390042 : Set of 3 pots and 1 pan

**The Induction hob: Faster than gas and ceramic hobs, induction is easier to clean and more energy efficient.**

- **DirectSelect:** Direct, simple selection of the desired cooking zone, power and additional functions.
- **CombiZone:** More flexibility by combining two cooking zones for cooking with even heat distribution for larger cookware like roasters.
- **Induction:** Fast, precise cooking, easy cleaning and low energy consumption.
- **PowerBoost:** Up to 50% more power for faster heating.
- **Timer with switch-off function:** Turns off the assigned cooking zone after the set time.

**Technical Data**

Product name/family :	Cooking zone ceramic
Construction type :	Built-in
Energy input :	Electric
Total number of positions that can be used at the same time :	5
Required niche size for installation (HxWxD) :	51 x 750-750 x 490-500
Width of the product (mm) :	802
Dimensions of the product (mm) :	51 x 802 x 522
Dimensions of the packed product (HxWxD) (mm) :	126 x 953 x 608
Net weight (kg) :	15.003
Gross weight (kg) :	17.0
Residual heat indicator :	Separate
Location of control panel :	Hob front
Basic surface material :	Ceramic
Color of surface :	Black
Approval certificates :	AENOR, CE
Length of electrical supply cord (cm) :	110
EAN code :	4242005088836
Electrical connection rating (W) :	7400
Voltage (V) :	220-240
Frequency (Hz) :	50; 60



## Serie | 6, Induction hob, 80 cm, PVW851FB5E

**The Induction hob: Faster than gas and ceramic hobs, induction is easier to clean and more energy efficient.**

---

### **Design**

- Three sided bevelled frameless finish

### **Special features**

- 5 Induction cooking zones
- DirectSelect
- Digital display
- Variable 17-stage power settings for each zone
- Timer for all zones
  - Timer - shows how long the cooktop is in use
- HighSpeed ceramic glass
- Automatic pan recognition sensor
  - Automatic safety shut off
  - Control panel lock
  - Control panel lock function
- QuickStart function
- ReStart function
- Energy consumption display
- Cable included
- Connection cable (1.1 M )
- Connected load: 7.4 kW

### **Power and size:**

- Cooking zones: 1 x Ø 180 mm, 1.8 KW (max. Power levels 3.1 KW) Induction; 1 x Ø 145 mm, 1.4 KW (max. Power levels 2.2 KW) Induction; 1 x Ø 240 mm, 2.2 KW (max. Power levels 3.7 KW) Induction; 1 x Ø 190 mm, 2.2 KW (max. Power levels 3.7 KW) Induction; 1 x Ø 210 mm, 2.2 KW (max. Power levels 3.7 KW) Induction
- Min. worktop thickness: 30 mm

### **Safety Features**

- 2 stage residual heat indicator for each zone
- Main on/off switch

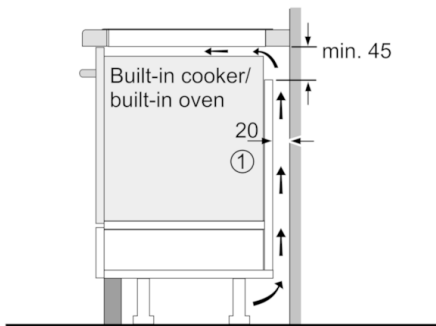
### **Control:**

- PerfectFry sensor with 5 temperature settings

### **Quickness:**

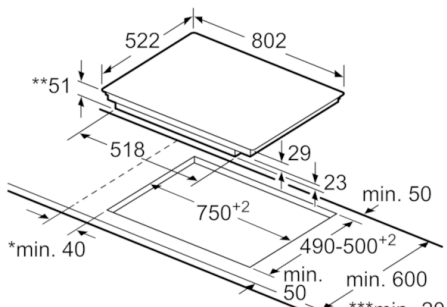
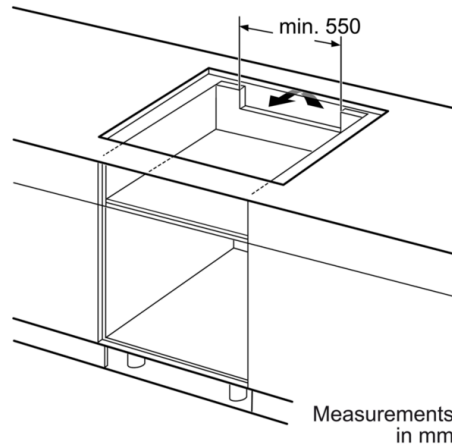
- PowerBoost function for all zones

**Serie | 6, Induction hob, 80 cm,  
PVW851FB5E**



①  
Ventilation gap must  
be present

All measurements in mm

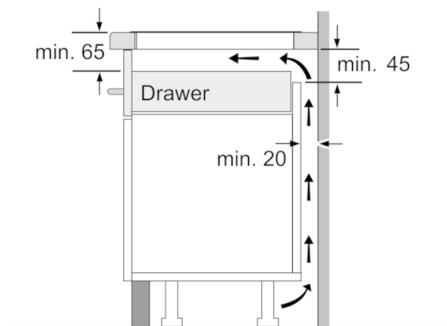


\* Minimum distance from  
the hob cut-out to the wall

\*\* Recessed depth

\*\*\* With fitted oven underneath min. 30,  
possibly more; see space requirements  
for the oven

measurements in mm



Measurements in mm