

**Serie | 6, Fully-integrated dishwasher,
60 cm
SMD6ZCX60G**



PerfectDry dishwashers for best drying results with Extra Clean Zone for spotless clean dishes.

- **Home Connect:** home appliances with smart connectivity for an easier everyday life.
- **PerfectDry based on Zeolith technology:** perfect drying results with less energy usage even on difficult to dry dishes.
- **Extra Clean Zone:** extra thorough cleaning for heavily soiled items in the upper basket.
- **Max Flex baskets:** flexible and stable loading for your dishes, with superior sliding performance.
- **TimeLight:** program status and remaining time clearly displayed on floor in high resolution.

Technical Data

Energy Efficiency Class:	C
Energy Consumption for 100 cycles Eco Programme:	74
Maximum number of place settings:	13
The water consumption of the eco programme in liters per cycle:	7.7
Programme duration:	3:45
Airborne acoustical noise emissions :	44
Airborne acoustical noise emission class:	B
Construction type:	Built-in
Height of removable worktop (mm):	0
Dimensions of the product (HxWxD):	815 x 598 x 550
Required niche size for installation (HxWxD):	815-875 x 600 x 550
Approval certificates:	CE, VDE
Depth with open door 90 degree (mm):	1150
Adjustable feet:	Yes - all from front
Maximum adjustability feet (mm):	60
Adjustable plinth:	both horizontal and vertical
Net weight (kg):	42.836
Gross weight (kg):	45.0
Connection rating (W):	2400
Fuse protection (A):	10
Voltage (V):	220-240
Frequency (Hz):	50; 60
Length of electrical supply cord (cm):	175
Plug type:	GB plug
Length inlet hose (cm):	165
Length outlet hose (cm):	190
EAN code:	4242005270309
Installation type:	Full-integrated



Optional accessories

- SGZ1010 : inlet and outlet hose extention
- SMZ5003 : Retractable hinge f. high corpus dimens.
- SMZ5005 : Compensating + fixing kit, stainl. steel
- SMZ5035 : Decor conversion kit, stainless steel
- SMZ5100 : Vario-cutlery basket
- SMZ5300 : GlassSecure Tray



4 242005 270309

Serie | 6, Fully-integrated dishwasher, 60 cm SMD6ZCX60G

PerfectDry dishwashers for best drying results with Extra Clean Zone for spotless clean dishes.

New for 2021

Performance

- Energy Efficiency Class¹: C
- Energy² / Water³: 74 kWh / 7.7 litres
- Capacity: 13 place settings
- Programme duration⁴: 3:45 (h:min)
- Noise level: 44 dB(A) re 1 pW
- Noise Efficiency Class: B
- Noise level (silence programme): 42 dB(A) re 1 pW

Programmes / functions

- 8 programmes: Eco 50 °C, Auto 45-65 °C, Intensive 70 °C, Express 60 °C, Express 45 °C, Glass 40 °C, Silence 50 °C, Favourite
- Default favourite programme: Pre-Rinse
- 4 special options: Remote Start, Extra Dry, Intensive Zone, SpeedPerfect+
- Machine Care
- Silence on Demand (via app)

Flexible design elements

- Max Flex baskets Basket system with red coloured touchpoints
- VarioDrawer - loading of cutlery on 3rd level
- 3 stage Rackmatic height-adjustable top basket
- Smooth running wheels on upper basket
- Low friction wheels on bottom basket
- Anti-slip protection strips in upper basket
- Rack Stopper to prevent derailing of bottom basket
- 2 foldable plate racks in top basket
- 6 foldable plate racks in bottom basket
- Upper rack cup shelf
- Lower rack cup shelf

Innovations and technology

- Home Connect ready on WLAN
- Zeolith - Energy efficient and perfect drying results
- Extra Clean Zone
- Heat exchanger.
- DosageAssist detergent dispenser
- EcoSilence BLDC drive
- Automatic detergent detection
- AquaMix - Glass protection system
- Aqua and loading sensor
- Water management system

Design features

- Touch Control (metallic)
- Push button top edge controls
- TimeLight - Light projection on the floor
- DoorOpen Assist - perfectly designed for kitchens without handles
- Acoustic end of cycle indicator, Time remaining indicator (min), water inlet indicator
- Time delay (3, 6 or 24 hours)
- ChildLock - double push to open
- AquaStop: Bosch warranty in case of water damage - for the lifetime of the appliance. Please find warranty terms under <https://www.bosch-home.co.uk/customer-service/care-protection-and-parts/additional-warranties>
- Self-cleaning filter system with 3 piece corrugated filter
- Large item spray head, steam protection plate
- Stainless steel interior
- Dimensions (HxWxD): 81.5 x 59.8 x 55cm

¹ Scale of Energy Efficiency Classes from A to G

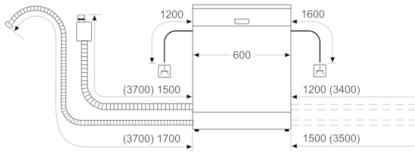
² Energy consumption in kWh per 100 cycles (in programme Eco 50 °C)

³ Water consumption in litres per cycle (in programme Eco 50 °C)

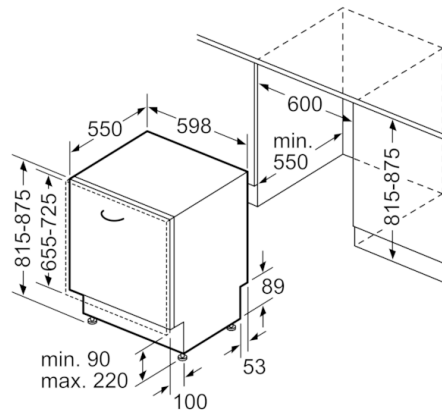
⁴ Duration of programme Eco 50 °C

Serie | 6, Fully-integrated dishwasher, 60 cm SMD6ZCX60G

measurements in mm



socket
() values with extension kit



measurements in mm