

**Serie | 4, Fully-integrated dishwasher,
45 cm
SPV4EMX21G**



A++



- **Home Connect:** home appliances with smart connectivity for an easier everyday life.
- **Silence Programme:** the quietest way to run your dishwasher.
- **EcoSilence Drive:** Energy efficient, quiet running motor.
- **Auto Programmes:** automatically selects the best cleaning performance programme.
- **Glass protection:** for gentle care of your glasses and delicate dishes.

Technical Data

Water consumption (l) :	9.5
Construction type :	Built-in
Height of removable worktop (mm) :	0
Dimensions of the product (width x depth) :	815 x 448 x 550
Required niche size for installation (HxWxD) :	815-875 x 450 x 550
Depth with open door 90 degree (mm) :	1150
Adjustable feet :	Yes - front only
Maximum adjustability feet (mm) :	60
Adjustable plinth :	both horizontal and vertical
Net weight (kg) :	30.322
Gross weight (kg) :	32.0
Connection rating (W) :	2400
Current (A) :	10
Voltage (V) :	220-240
Frequency (Hz) :	50; 60
Length of electrical supply cord (cm) :	175
Plug type :	GB plug
Length inlet hose (cm) :	165
Length outlet hose (cm) :	205
EAN code :	4242005203437
Number of place settings :	10
Energy efficiency rating :	A++
Energy consumption annual (kWh/annum) - NEW (2010/30/EC) :	211.00
Energy consumption (kWh) :	0.74
Power consumption in left-on mode (W) - NEW (2010/30/EC) :	0.50
Power consumption in off-mode (W) - NEW (2010/30/EC) :	0.50
Water consumption annual (l/annum) - NEW (2010/30/EC) :	2660
Drying performance :	A
Reference programme :	Eco
Total cycle time of reference programme (min) :	210
Noise level (dB(A) re 1 pW) :	45
Installation type :	Full-integrated

Optional accessories

- SGZ1010 : inlet and outlet hose extention
- SMZ5000 : Dishwashing aid set
- SMZ5003 : Retractable hinge f. high corpus dimens.
- SMZ5006 : decorative strips 81cm st.steel



Serie | 4, Fully-integrated dishwasher, 45 cm SPV4EMX21G

New for 2020

Performance

- Energy Efficiency Class:A++
- Capacity: 10 place settings
- Energy/Water¹:211 kWh/2660 l
- Energy/Water²:0.738 kWh/9.5 l
- Rated performance for washing and drying
- Programme time in Eco50 programme:210 minutes
- Noise level dB (A) re 1pW:45 dB
- Noise level (silence programme):42 dB(A) re 1 pW

Programmes / functions

- 6 programmes:Eco50 °C,Auto 45-65°45-65 °C,Intensive70 °C,Quick 65°C,Silence50 °C,Favourite
- Default favourite programme:Pre-Rinse
- 4 special options:Remote Start,EfficientDry,Intensive Zone,VarioSpeed Plus
- Machine Care Programme
- Silence on demand(via app)

Flexible design elements

- VarioDrawer - loading of cutlery on 3rd level
- VarioFlex basket system
- Low friction wheel on lower basket and 3rd loading level
- Rack Stopper to prevent derailing of lower basket
- 3 stage Rackmatic height-adjustable top basket
- 2 foldable plate racks in top basket
- 2 foldable plate racks in bottom basket
- Upper rack cup shelf
- Lower rack cup shelf
- Glass rack in bottom basket

Innovations and technology

- Home Connect ready on WLAN
- Dosage Assist detergent dispenser
- EcoSilence BLDC drive
- Automatic detergent detection
- Aqua and loading sensor
- AquaMix - Glass protection system

Design features

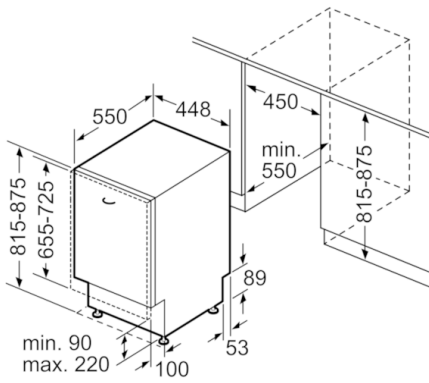
- Push button top edge controls
- TimeLight- Light projection on the floor
- Large item spray head, steam protection plate
- Stainless steel interior
- DuoPower spray arm in upper basket
- Self-cleaning filter system with 3 piece corrugated filter
- Electronic time delay: 1-24 hours
- Acoustic end of cycle indicator, Time remaining indicator (min), water inlet indicator
- AquaStop: Bosch warranty in case of water damage - for the lifetime of the appliance. Please find warranty terms under <https://www.bosch-home.co.uk/customer-service/care-protection-and-parts/additional-warranties>
- Dimensions (HxWxD):81.5x44.8x55cm

¹Based on 280 standard cleaning cycles using cold water fill and the consumption of the low power modes. Actual energy consumption will depend on how the appliance is used.

²The consumption per cleaning cycle of the programme "Eco 50" using cold water fill

* Please find warranty terms under <https://www.siemens-home.bsh-group.com/uk/customer-service/warranty/additional-warranties>

**Serie | 4, Fully-integrated dishwasher, 45 cm
SPV4EMX21G**



measurements in mm