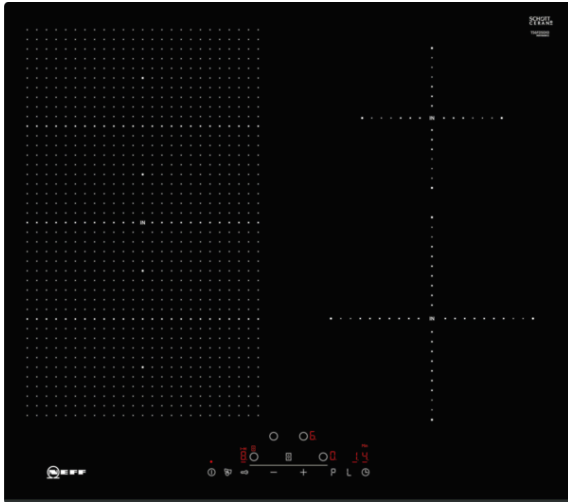


N 70
 T56FD50X0 INDUCTION HOB
 BEVELLED FRONT EDGE
 592 MM



COOKING PASSION SINCE 1877



FlexInduction hob with TouchControl.

- ✓ TouchControl is a highly convenient way to control the hob. One touch is enough. A timer is also included.
- ✓ FlexInduction - The FlexZone lets you place your pots and pans anywhere you want and heats them exactly where they stand.
- ✓ Induction - With induction cooking, the heat is generated directly in the cookware for precise cooking that stops when power is off.
- ✓ PanBoost - Optimised power level function for more flexible and even faster heating.

Features

Technical Data

Product name/family : Cooking zone ceramic
 Construction type : Built-in
 Energy input : Electric
 Total number of positions that can be used at the same time : 4
 Required niche size for installation (HxWxD) : 51 x 560-560 x 490-500
 Width of the product (mm) : 592
 Dimensions of the product (mm) : 51 x 592 x 522
 Dimensions of the packed product (HxWxD) (mm) : 126 x 753 x 603
 Net weight (kg) : 12.9
 Gross weight (kg) : 14.0
 Residual heat indicator : Separate
 Location of control panel : Hob front
 Basic surface material : Ceramic
 Color of surface : Black
 Approval certificates : AENOR, CE
 Length of electrical supply cord (cm) : 110
 EAN code : 4242004195689
 Electrical connection rating (W) : 7400
 Voltage (V) : 220-240
 Frequency (Hz) : 50; 60

Optional accessories

Z9410X1	Stainless Steel roaster with glas lid
Z9415X1	Steaming Rack for Stainless Steel roaste
Z9416X2	Griddle Plate
Z9417X2	Teppan Yaki (large)



N 70
T56FD50X0 INDUCTION HOB
BEVELLED FRONT EDGE
592 MM

Features

Control

- Touch control

Flexibility

- Flex Induction
- 4 zone induction hob

Special features

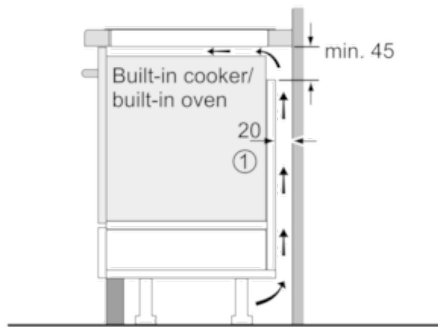
- Boost setting for all zones
- Variable 17-stage power settings for each zone
- Digital display of cooking levels
- 2 stage residual heat indicators
- Timer with automatic shut off for all zones
LED timer for each zone with switch off function and acoustic signal
- ReStart function
- Automatic pan recognition
4.6kW power output (20A); current management options for 16A, 13A or 10A connection
Safety cut out facility
Control panel lock
Control panel suspension
- Keep warm function
- Energy consumption display

Technical information

- Cooking zones: 1 x Ø 400 mmx240 mm, 3.3 KW (max. Power levels 3.7 KW) Induction or 2 x Ø 190 mm, 2.2 KW (max. Powerlevels 3.7 KW) Induction; 1 x Ø 145 mm, 1.4 KW (max. Power levels 2.2 KW) Induction; 1 x Ø 210 mm, 2.2 KW (max. Power levels 3.7 KW) Induction
- Measurement: (H/B/T) 51 x 592 x 522 mm
- Installation dimensions: (ID/W/D) 51 mm x 560 mm x 490 mm
- 60 cm width
- Length wire connection: 110 cm
- Main switch
- Min. worktop thickness: 30 mm
- Output 7400 W
- Cable included in packaging

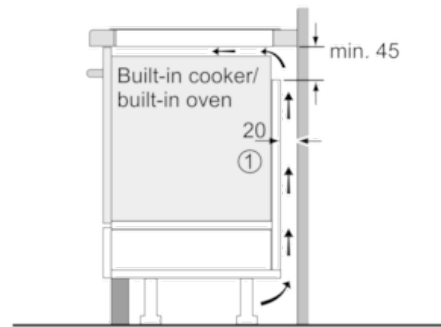
N 70
 T56FD50X0 INDUCTION HOB
 BEVELLED FRONT EDGE
 592 MM

Dimensioned drawings



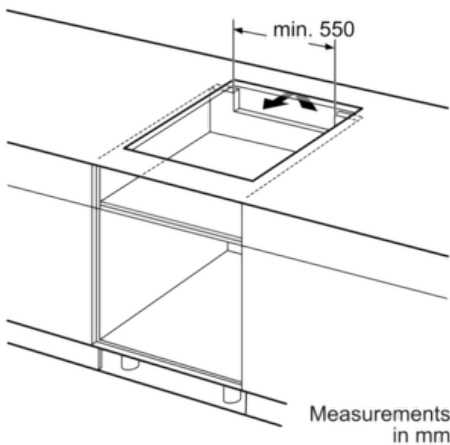
① Ventilation gap must be present

All measurements in mm

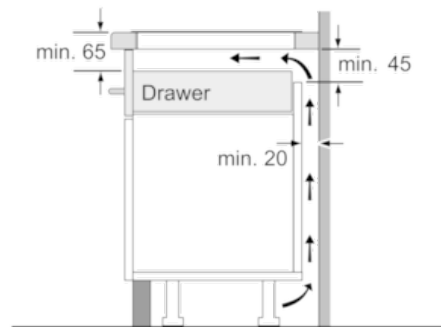


① Ventilation gap must be present

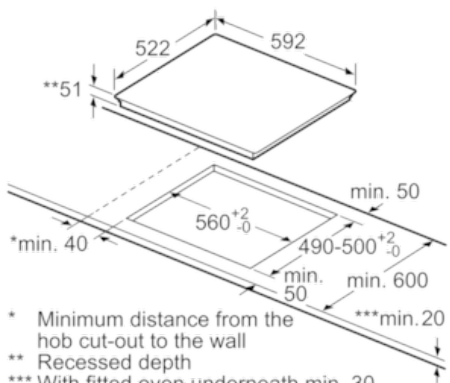
All measurements in mm



Measurements in mm



Measurements in mm



* Minimum distance from the hob cut-out to the wall
 ** Recessed depth
 *** With fitted oven underneath min. 30, possibly more; see space requirements for the oven

measurements in mm