

Serie | 4, Washer dryer, 7/4 kg WKD28352GB



• **7/4 kg load capacity:** wash 7 kg, dry 4 kg.

Technical Data

Energy Efficiency Class Wash/Dry cycle(Regulation (EU) 2017/1369):	E
Energy Efficiency Class Eco 40-60 programme (Regulation (EU) 2017/1369):	E
Weighted energy consumption in kWh per 100 full Wash/Dry cycles (EU 2017/1369):	266
Weighted energy consumption in kWh per 100 washing cycles of eco 40-60 programme (EU 2017/1369):	77
Maximum capacity in kg in a Wash/Dry cycle (EU 2017/1369):	4.0
Maximum capacity in kg in a wash cycle (EU 2017/1369):	7.0
The water consumption of the full wash and dry cycle in liters per cycle (EU 2017/1369):	68
The water consumption of the eco programme in liters per cycle (EU 2017/1369):	44
Duration of the full wash and dry cycle in hours and mins at rated capacity (EU 2017/1369):	5:30
Duration of eco 40-60 programme in hours and mins at rated capacity (EU 2017/1369):	2:50
Spin-drying efficiency class of eco 40-60 programme (EU 2017/1369):	B
Airborne acoustical noise emissions (EU 2017/1369):	72
Airborne acoustical noise emission class (EU 2017/1369):	A
Construction type:	Free-standing
Removable work top:	No
Door hinge:	Left
Length of electrical supply cord (cm):	220
Height of removable worktop (mm):	820
Dimensions of the product (mm):	820 x 595 x 584
Net weight (kg):	77.148
Drum volume (l):	52
EAN code:	4242005222285

Optional accessories

WMZ2200 : Floor securing component



4 242005 222285

Serie | 4, Washer dryer, 7/4 kg WKD28352GB

Performance

- Energy Efficiency Class Wash and Dry¹: E
- Energy Efficiency Class Washing²: E
- Energy³ / Water⁴ Wash and Dry: 266 kWh / 68 litres
- Energy⁵ / Water⁶ Washing: 77 kWh / 44 litres
- Load capacity Wash and Dry / Washing: 1 - 4 kg / 1 - 7 kg
- Programme duration⁷ Wash and Dry / Washing: 5:30 h:min / 2:50 h:min
- Spin drying efficiency class: EU19_spin efficiency class: B
- Spin speed^{**}: 600 - 1355 rpm
- Noise level: 72 dB (A) re 1 pW
- Noise efficiency class: A

Programmes/functions

- Fully electronic control dial for all wash and special programmes
- Special programmes: 30°C, 40°C, rinsing/spinning, fluff clean, Drain / Spin, Handwash/Wool, Wool Programme, Delicates 30°C
- Special programme - drying: fluff removal cycle
- Timed drying programmes
- Buttons: Start, Spin speed reduction, Change, menu, drying time and 24 hour Ready in Start time delay
- Safeguard monitoring system adjusts load distribution and programme settings to protect clothes

Key features

- Reload facility
- AquaSpa wash system

Additional features

- Display for programme progress indication, time remaining and 24 hours time delay
- Multiple Water Protection
- Foam detection system
- Child lock
- Buzzer to indicate the end of cycle

Technical Information

- Fully integrated
- Left hinged door
- Dimensions (H X W X D): 82 x 59.5 x 56 cm
- adjustable base height: 16.5 cm
- adjustable base depth: 6 cm
- ActiveWater Plus: for highly efficient use of water even with small loads thanks to automatic load detection.

^{1 2} Scale of Energy Efficiency Classes from A to G

³ Energy consumption in kWh per 100 complete cycles (in Eco 40-60 programme)

⁴ Water consumption in litres per complete cycle (in Eco 40-60 programme)

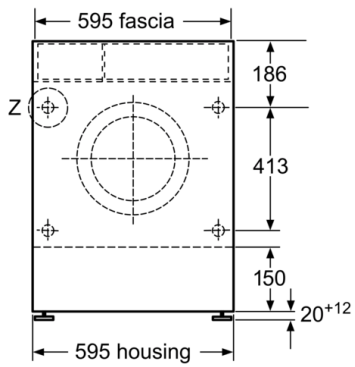
⁵ Energy consumption in kWh per 100 washing cycles (in Eco 40-60 programme)

⁶ Weighted water consumption in litres per washing cycle (in Eco 40-60 programme)

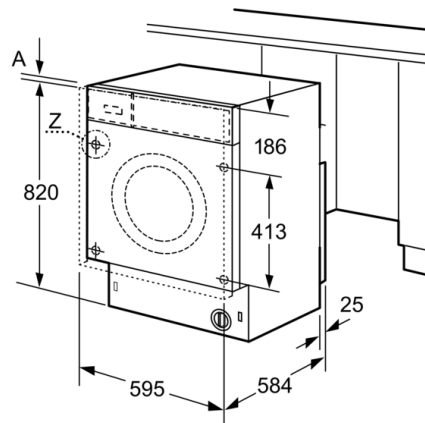
⁷ Duration of Eco 40-60 programme, Wash and Dry cycle / Wash only cycle

^{**} Values are rounded.

**Serie | 4, Washer dryer, 7/4 kg
WKD28352GB**

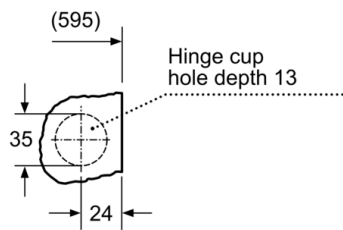


Measurements in mm

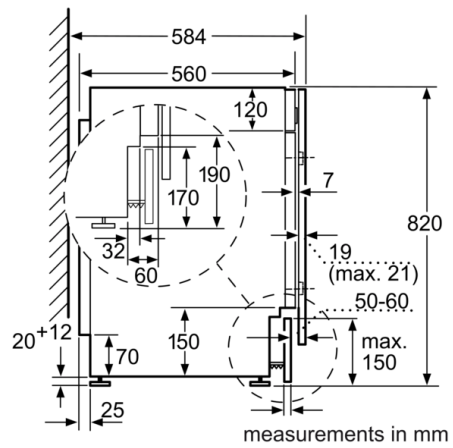


Measurements in mm

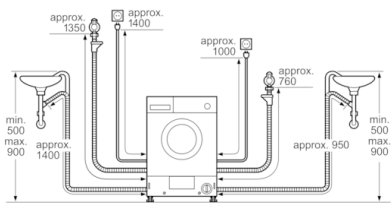
Z detail



Measurements in mm



measurements in mm



Measurements in mm