

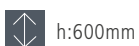


SENSE IN-COLUMN SINGLE ZONE WINE CABINET

PRODUCT CODE

WC6100SS

DIMENSIONS



h:600mm

FINISH AVAILABLE



Stainless steel and
black glass

PERFORMANCE



Energy class G

Noise class D

Energy consumption
124kWh/y

Ambient temperature
10°C - 32°C

Temperature range
5°C - 18°C

Humidity range >60%RH

Quiet operation 43dB[A]

GENERAL FEATURES

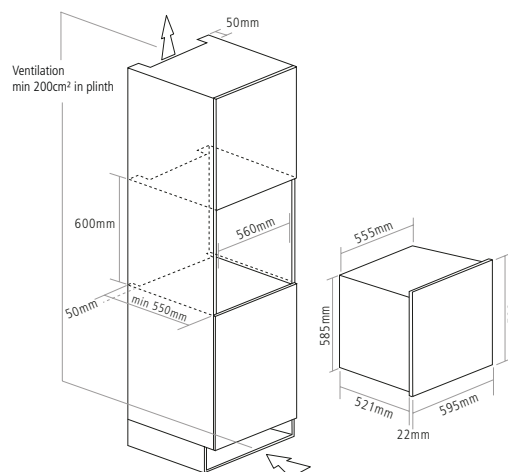
- Shelves can accommodate 750ml Bordeaux, Burgundy and Champagne bottles
- No-frost compressor cooling technology maintains a consistent temperature
- Single temperature zone stores red, white or sparkling wine
- Touch controls and white LED display
- UV/heat-free white LED lighting [switchable]
- Vibration free
- Stainless steel square handle
- Fan circulated cool air for even temperature distribution

- 4 Telescopic shelves and 1 base shelf
- 100% CFC/HFC free
- Toughened UV protected glass door
- Telescopic beech shelves
- Black cabinet interior and exterior
- Soft-open & close door

CAPACITY

- 2.72 Cu ft/77 Litre total net capacity
 - Stores max.30 Bordeaux style wine bottles 750ml
- Bottle stacking diagrams available at caple.co.uk

INSTALLATION



Features

SEAMLESS INTEGRATION

Our new WC6100SS wine cabinet is designed to work with a matching oven, so you can create your perfect combination.

SOFT OPEN & CLOSE

The hinge activates when the door is inches away from the open or closed position bringing the door to a soft stop.